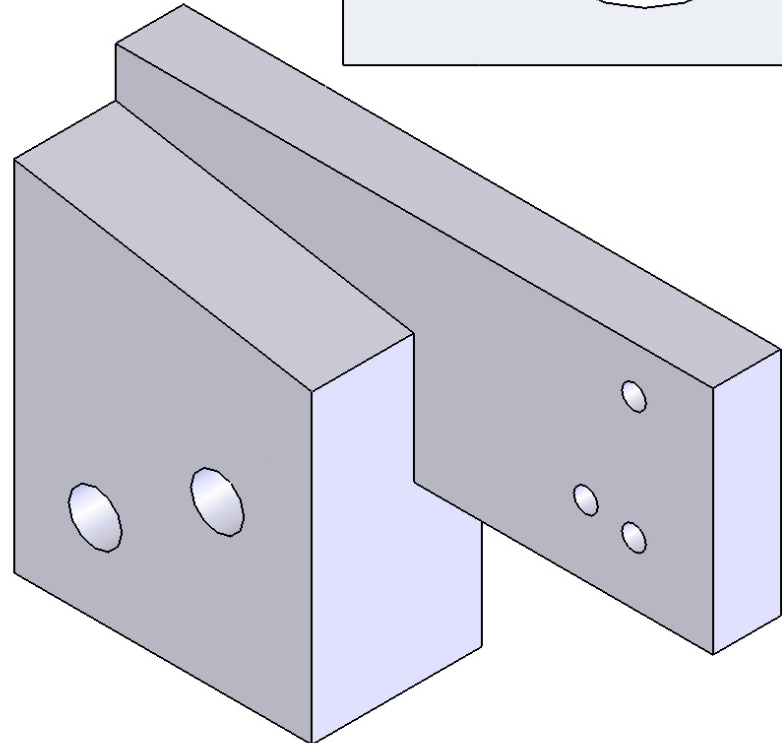
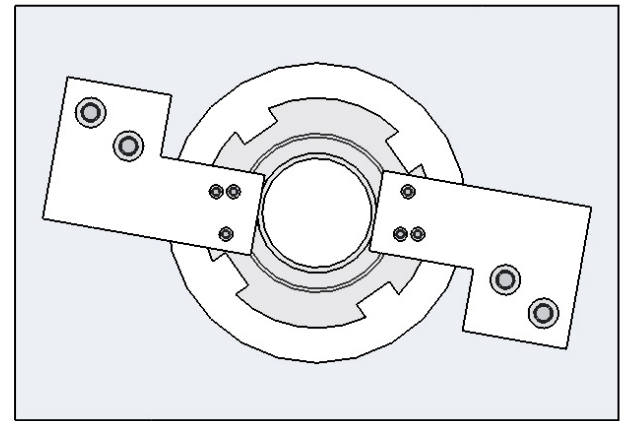


Ø0.089 THRU  
 (#2-56 close fit)  
 3 PLACES

Ø0.196 THRU  
 (#10-32 close fit)  
 2 PLACES



**PROPRIETARY AND CONFIDENTIAL**  
 THE INFORMATION CONTAINED IN THIS DRAWING IS THE SOLE PROPERTY OF <INSERT COMPANY NAME HERE>. ANY REPRODUCTION IN PART OR AS A WHOLE WITHOUT THE WRITTEN PERMISSION OF <INSERT COMPANY NAME HERE> IS PROHIBITED.

|             |         |                                      |           |      |
|-------------|---------|--------------------------------------|-----------|------|
|             |         | UNLESS OTHERWISE SPECIFIED:          | NAME      | DATE |
|             |         | DIMENSIONS ARE IN INCHES             | DRAWN     | GJP  |
|             |         | TOLERANCES:                          | CHECKED   |      |
|             |         | FRACTIONAL ±                         | ENG APPR. |      |
|             |         | ANGULAR: MACH ± BEND ±               | MFG APPR. |      |
|             |         | TWO PLACE DECIMAL ±                  | Q.A.      |      |
|             |         | THREE PLACE DECIMAL ±                | COMMENTS: |      |
|             |         | INTERPRET GEOMETRIC TOLERANCING PER: |           |      |
|             |         | MATERIAL                             |           |      |
|             |         | <b>ALUMINUM</b>                      |           |      |
|             |         | FINISH                               |           |      |
| NEXT ASSY   | USED ON |                                      |           |      |
| APPLICATION |         | DO NOT SCALE DRAWING                 |           |      |

TITLE:  
 Arm to attach Polony sequencing flowcell to stage insert  
**MAKE 2 OF THESE**

|            |          |              |
|------------|----------|--------------|
| SIZE       | DWG. NO. | REV          |
| <b>A</b>   | arm      |              |
| SCALE: 1:1 | WEIGHT:  | SHEET 1 OF 1 |